

Basic Wall Mount Quick Connect Docking Panel

The Basic Wall Mount Series allows for a simple and safe means of connecting either a portable generator or a load bank to an existing generator, ATS, or utility service with 16 Series Cam only connection points.

Standard Features:

- NEMA 3RX aluminum construction with quarter-turn latches and powder-coated finish.
- Completely sealed when not in use.
- Tamper-resistant while in use via cable slots and pad-lockable latches.
- Standard phase rotation monitor.
- Color-coded 16 Series Cam input/output connectors.
- Color matching and printed 16 Series Cam feeder cable assemblies.

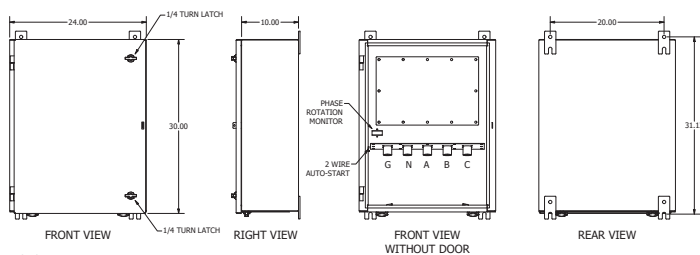
Optional Features:

- Optional Trapped Key Interlock available.
- Rotary or ATS transfer option up to 400A.
- Main circuit breaker options available in 100A - 1200A models.
- Available with 2 wire auto start terminals.

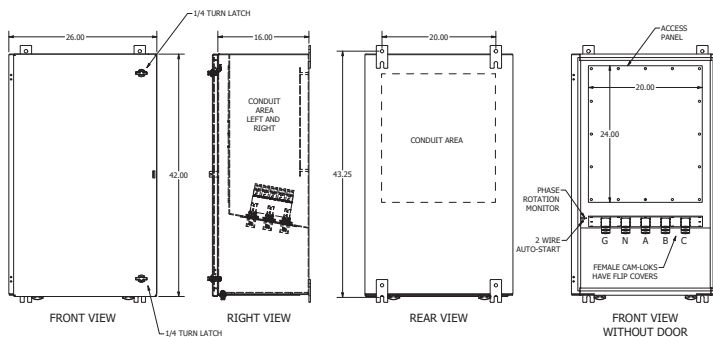


Applications:

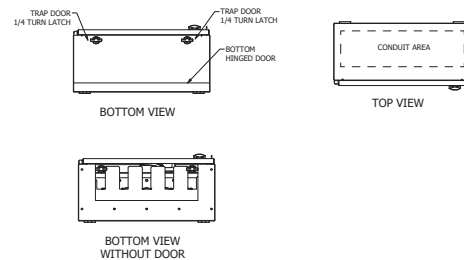
- 100A - 1200A Tap Box for portable generator or load bank connections.
- 100A - 400A RTS/ATS for portable generator connections.



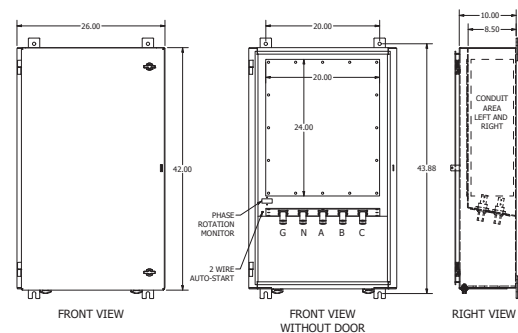
400A



1200A



800A



Configuration Options:

*example

Base #	Amp Rating (Cams)	Voltage Code	Cam Gender	Option 1	Option 2	Option 3	Option 4	Option 5	Option 6	Option 7	Option ...
QCDBPW	4	L2	M								

Amp Rating - Choose 1 of the following:

- 4 400A
- 8 800A
- 12 1200A

Voltage Code - Choose 1 of the following:

- L1 120/240 Single Ph - BRWG
- L2 120/208-240 3 Ph - BBRWG
- L3 240V 3 Ph - No Neutral - BBRG
- L4 208V 3 Ph - No Neutral - BBRG
- L5 120/240 Delta High Leg - BOBWG
- H1 480V 3 Ph - No Neutral - BOYWG
- H2 480/277V 3 Ph w/ Neutral - BOYWG
- H3 600/347V 3 Ph w/ Neutral - BBRWG
- H4 600V 3 Ph - No Neutral - BBRG

Cam Gender - Choose 1 of the following:

- M Male Cam Inlet
- F Female Cam Outlet

Available Accessories:

- Breakers / ATS up to 400A.
- Module Leg Kit.
- 20A GFCI for battery charger.
- 30A 125V receptacle for block heater.
- Additional customizations by request.

Options - Choose all applicable:

- TKA Trapped Key Accessible
 - 2WA Two Wire Auto Start Terminals
 - 20G 20A 120V GFCI Duplex
 - 30T 30A 125V Twist Lock Receptacle (L5-30)
 - LDR Load Dump Receptacle
 - MCB* Main Output Circuit Breaker
 - SER* Service Entrance Rated Breaker
 - ISO* Isolation Circuit Breaker w/ Trapped Key Interlock | Line Item for Matching Lock, unless TKA
 - LDB* Load Dump Breaker w/ Shunt Trip
 - LK Leg Kit
 - ATS* Automatic Transfer Switch 100A - 400A
 - SDS Signal Destination Switch (Sends start signal to selected generator, permanent or portable)
 - HTR Strip Heater (100W 120V 1 Ph w/ adjustable thermostat)
 - FLG Flange/Flush Mount
 - FTL Feed Through Lugs
 - GRR Ground Reversed
 - GNR Ground & Neutral Reversed
- * append with amp rating desired

Optional - Choose 1 of the following:

- RTS* Rotary Transfer Switch - 3 pole
 - RTS2P* Rotary Transfer Switch - 2 pole
 - RTS4P* Rotary Transfer Switch - 4 pole
- * append with amp rating desired